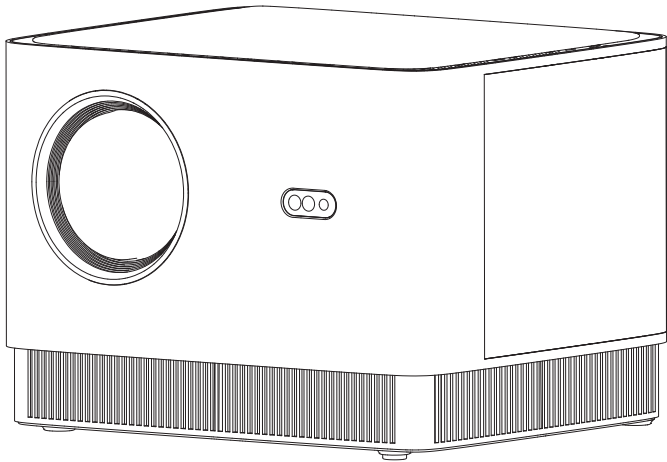




Projector






KTC P10
User Guide





Please read this manual carefully for proper usage before installation and use.
It is recommended to keep this manual properly for future check.
The pictures in this manual are only for reference.

Safety Warning and Notice



Thank you very much for purchasing this product. The design of this product has taken personal safety into consideration and the product has passed rigorous factory tests before shipment. However, incorrect installation or use may lead to electric shock, fire and other hazards. In order to ensure safety, extend the service life of product and make full use of the best performances of this product, please read carefully to understand all instructions and nameplate markings before use, conscientiously comply with the following safety precautions, and keep the manual properly for future use.

 Warning	Improper handling product may cause an accident resulting in death or serious injury.
 Attention	Improper handling product may result in injury or property damage.
	There is a risk of electric shock due to the presence of dangerous high voltage in component.
	Prohibited behavior.
	Where the icon labels the operations that must be performed.


	Caution Danger of electric shock! Please do not open!	
Attention: To avoid the risk of electric shock, please do not remove the housing (or back cover). Users are not allowed to repair other internal parts privately. Please ask qualified service personnel for help if necessary.		

In order to provide better service, all technical specifications within this manual and on the outer package are subject to change without notice. If there is a slight difference between the instruction manual and the actual operation, the actual operation prevails.

Warning

- This product only supports the power supply shown on its nameplate. If you are in doubt about the type of power supply you are using, please consult the product dealer or your local power supply bureau.
 - Impact may cause damage to the product.
 - Do not place the product in an unstable or inclined position, as it may fall and be damaged or even catch fire and cause serious personal injury and death.
 - Always use the brackets and mounting methods recommended by the manufacturer of this product.
 - Keep small accessories out of reach of children to avoid accidental swallowing.
 - Do not place items on the product. Things placed on the housing will not only be damaged, but may cause a fire due to heat.
 - Do not place the product in:
 1. Direct strong light, humid, excessively hot or cold, dusty environments;
 2. Environments where flammable and explosive substances are stored or used;
 3. Environments with flammable or corrosive gases;
 4. Environments where there are heat sources, steam or fumes, with high humidity, such as bathrooms or kitchens, or near such environments.
 - Never use broken or unsuitable sockets and ensure good contact between the plug and socket.
 - The power plug should be completely inserted into the power outlet; loose plug may cause spark and result in a fire.
 - No dust or metal shall be attached to power plug and socket.
 - Do not damage the power cable:
 1. It is prohibited to refit the power cable;
 2. Do not place heavy objects on the power cable;
 3. Keep the power cable away from heat sources;
 4. When unplugging the power plug, please do not pull the power cable; instead, hold the power plug with hand and then unplug the power cable.
 - Do not connect too many plugs in parallel into the same socket as they may catch fire due to excessive power consumption.
 - There must be no open fire (e.g., lit candles) close to the product as this may cause electric shock or fire.
 - Do not place containers filled with water on the product to prevent from water drips or splashing, which may cause electric shock or fire.
-  Do not touch the plug with wet hands as this may cause electric shock.
-  Do not use the product during heavy rain, especially when there is lightning, and pull out power plug promptly to prevent thunderstroke.

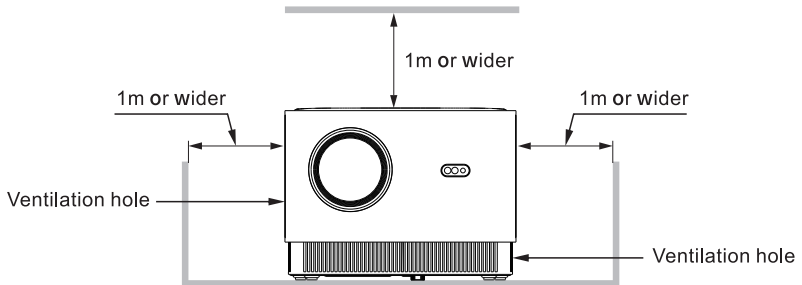
Warning

-  Do not disassemble the product privately in any way, as this may result in electric shock or fire. All repairs should be entrusted to a professional technician.

Attention

- Please arrange the wires and cables connected to the product so that users cannot trip, pull or grab them.
- Please ensure that minors do not play, romp, chase, run or jump around the product as well as push, pull, touch or hit the product in any way that could cause it to tip over or be damaged.
- Please make sure that pets at home do not play, romp, run or jump around the product as well as push, pull, touch or hit the product in any way that could cause it to tip over or be damaged.
- Do not rub or knock the product with hard objects, or twist or squeeze the product with force.
- When cleaning the product, please pull out its power plug, wipe with a soft cloth, do not use industrial chemicals. Prevent foreign matters from entering machine. Improper cleaning (e.g. cleaning solution, water, etc.) may result in damage to the appearance of the product, erase the printed information on the product, or the liquid even flows into machine and damage internal components, resulting in no display of machine.
- If the lens is contaminated with oil stain or fingerprints, please wipe it with a dust-free cloth.
- When the product needs to be moved to another position, please disconnect all cables and move the product slowly to prevent from falling.
- Do not use the product immediately after moving it from a low-temperature place to a high-temperature place, as this may cause condensation inside machine and cause malfunction.
- Do not put the product in a place with strong electromagnetic field, otherwise there is interference or damage caused by electromagnetic wave.
- The product must not face an air conditioner directly, otherwise the internal panel of the product may condense, leading to a malfunction.
- The hanging bracket should be installed by qualified technicians only. Remove the hanging bracket immediately when it is not in use. Ensure to use a torque screwdriver instead of an impact screwdriver.
- Do not peer into the lens while the product is activated lest eyes are hurt seriously, especially pay attention that children do not stare light beam directly.
- Do not use optical instruments (such as magnifying glasses and reflectors) to peer into the light of the light source, because such action may cause visual impairment.

- Adjust from the side or rear of the product. Adjusting from the front may expose your eyes to bright light, which may harm them.
- Please do not place any objects (magnifying glasses, etc.) in the path of light from the product. The light path projected from the lens is diffuse. Therefore, any type of abnormal object that changes the light may cause accidents such as fire or eye injury.
- If any of the following conditions occur, pull out the power plug and ask qualified service personnel for help:
 - The power cable or plug is damaged.
 - Liquid is spilled into the product.
 - The product is exposed to rain or water.– If the product does not work properly despite following the operating instructions, please adjust only according to operating instructions.
 - Other incorrect operations will damage the product, which brings additional work for professional technician in restoring the product to its normal state.
 - This product has been dropped or the housing has been damaged.
- If a noticeable undesirable change occurs during the operation of the product, a repair is necessary.
- If a component needs to be replaced, please ensure the replacement used by service personnel is approved by manufacturer and it shares the same characteristics as the original component. Using unapproved replacement may cause fire, electric shock or personal injury.
- Do not place the product in a box until it has been cooled sufficiently.
- If the product is not in use for a long time, such as when you are away from home for a long period of time, please switch off the product and pull out the power plug.
- When a power plug or appliance coupler is used as a disconnecting device, the disconnecting device shall be operated easily.
- Be sure to leave appropriate space on the top and sides of the enclosure for product ventilation and cooling. The dimensions shown below indicate the minimum distance to be reserved. If the product is placed in a cabinet or similar confined environment, the requirement of minimum distance must be met.

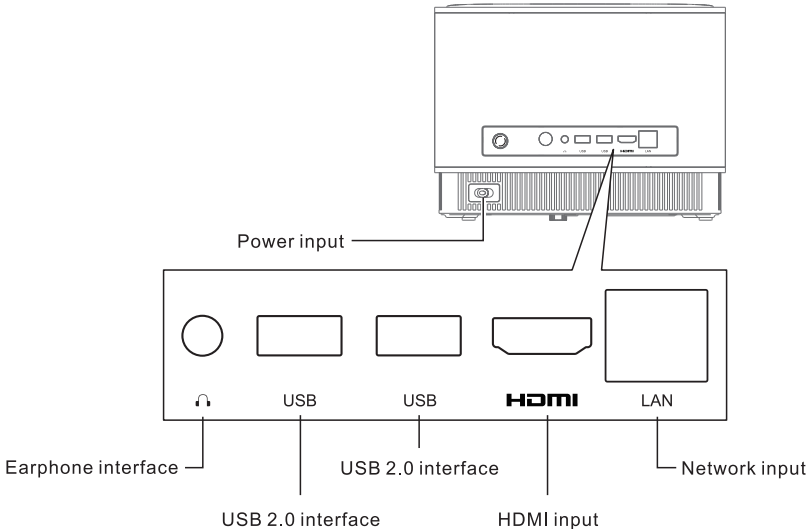


- Do not cover the ventilation holes of the product. Poor heat dissipation will shorten the service life of the product and cause danger.
- Do not cover the ventilation holes with a cloth or other objects, and do not place the product on the surface of a bed, sofa, carpet or similar object that could block the ventilation holes at the bottom.
- Please do not place the product in a built-in environment such as a bookcase unless good ventilation is available.
- No object can fall into the product through the ventilation holes, lest there is short circuit or product damage, and electric shock may occur.
- Do not touch the area around the air outlet, especially metal parts such as screws. These parts will be hot once the product starts working.
- Prevent from ventilation when there is dust in the air inlet and outlet holes, which can increase the internal temperature and cause malfunction. Clean once at least after using every 10,000 hours. Power off before cleaning and then disconnect the power cable.

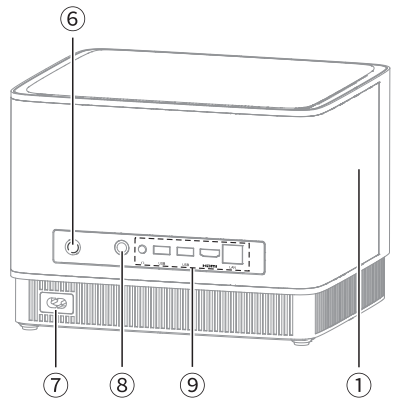
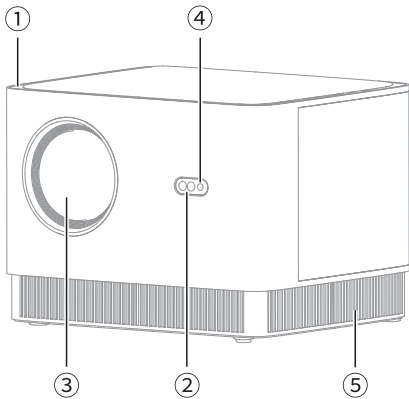
Packing List


- Projector ×1
- Power cable ×1
- Remote control ×1
- AAA(No.7, 1.5V) Battery ×2
- User Guide ×1
- Lifting screw ×1

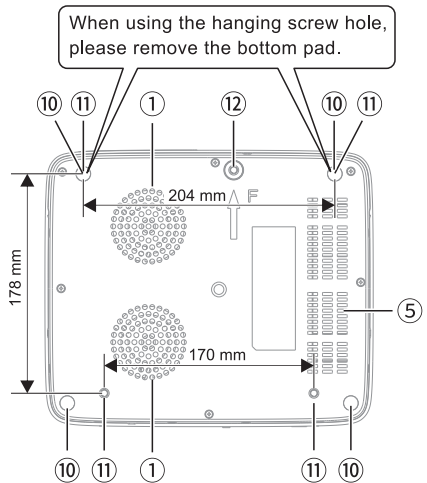
Device Connection



Product Components

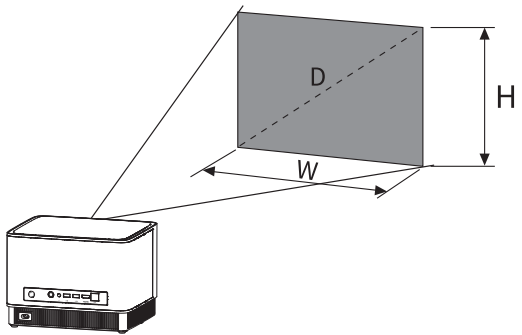
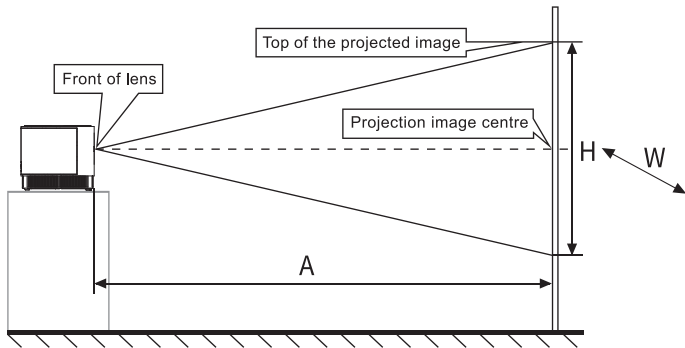


- ① Air inlet
- ② Front remote control receiving window
- ③ Projection lens
- ④ Focus camera
- ⑤ Air outlet
- ⑥  Power button/power indicator light
- ⑦ Power cable interface
- ⑧ Rear remote control receiving window
- ⑨ Terminal interface
- ⑩ Bottom pad
- ⑪ Hanging screw hole(4-M5×10mm)
- ⑫ Lifting screw hole



Remarks: screw the lifting screw to adjust the tilt angle of projector.

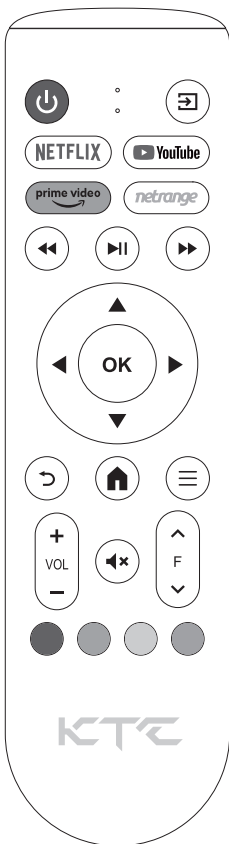
Projection Distance



Projection Image Size (D) (inch)	Image Width (W) (mm)	Image Height (H) (mm)	Projection Distance (A) (mm)
50	1107	622.7	1439
60	1328.3	747.2	1700
70	1549.7	871.8	1968
80	1771.1	996.3	2230
90	1992.5	1120.9	2490
100	2213.9	1245.4	2767
110	2435.3	1369.9	3044
120	2656.7	1494.5	3300

Note: The projection size and projection distance are calculated based on the throw ratio, and there may be deviations during actual debugging, please refer to the real product.

Remote Control



Keys of the Remote Control

Keys	Function
	Turn on/off the product.
	Show signal source menu.
NETFLIX	Open application.
	Open application.
prime video	Open application.
netrange	Open application.
	Fast backward.
	Play/Pause.
	Fast forward.
	Select items or adjust values.
OK	Confirm the operation.
	Return to previous menu page.
	Show home page.
	Show OSD menu.
VOL +/-	Turn up/down the volume.
	Turn on/off the sound.
F ^/v	Focus for sharper image.
Red key	Special function keys.
Green key	
Yellow key	
Blue key	

Precautions for using the remote control

- The remote control should be pointed at the remote control sensor during operation. An object placed between the remote control and the remote control sensor may impede normal operation.
- The remote control should be prevented from strenuous vibration. Besides, please do not set or place the remote control under direct sunshine, as heating power may result in deformation of the remote control.
- Remote control failure may occur when the remote control sensor of the main unit is under direct sunshine or strong lighting; in this case, please change the angle of lighting or this projector set, or operate the remote control near the remote control sensor.



- Low battery will influence the remote control distance, in which case, the battery should be replaced with a new one. If the remote control is going to be idle for a long time or the battery runs out, please take the battery out to prevent the remote control from being corroded by battery leakage which may result in damage and failure of the remote control.
- Please do not use batteries of different types. It is not allowed to use old and new batteries together; the batteries should be replaced in pair.
- Please do not throw the batteries into fire or charge or decompose the batteries; do not charge, short-circuit, disassemble/assemble, heat or burn used batteries. Please dispose the waste batteries pursuant to relevant regulations on environmental protection.

Basic Operations



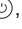
Remarks:

- Before powering on the product, make sure that the power cable is connected smoothly.
- The keys in the following instructions refer to the keys on remote control unless otherwise specified.

Turn on/standby

- Insert the power cable plug into the power interface of the product and the power outlet respectively. After powering on, press  button on the product or [] key on remote control to turn on product.

Note: If it is the first time to turn on the product, please follow the prompts to set the product.

- In power-on state, press  button on product or [] key on remote control to display the auxiliary menu. Select , and press [**OK**] key, then the product enters the standby state.

Select projection method

1. Press [] key, and select **Projection**, then press [**OK**] key to enter.
2. Select the appropriate projection method.

Keystone correction

When this product is placed for side projection, irregular shape appears on the projection screen.

Auto keystone correction

Press [≡] key, select **Keystone > Auto Keystone**, press [OK] key to confirm, then the product corrects the projected image to rectangle automatically.

Manual keystone correction

Press [≡] key, select **Keystone > Manual Keystone**, press [OK] key to enter. Follow prompts on page to correct the image shape manually.

Remarks:

- For manual correction, press the [OK] key to select the angle to be corrected, and adjust the correction position via the arrow keys.
- This product supports auto keystone correction. The correction effect may have a little deviation under different use scenes, which can be further adjusted by manual correction.

Focus adjustment

Auto focus

Press [≡] key, select **Focus > Auto Focus**, press [OK] key to automatically adjust projection focus.

Manual focus

Press [≡] key, select **Focus > Manual Focus**, press [OK] key to enter. Press [▲]/[▼] keys to adjust the focus. Press [↩] key to exit the interface and save.

Remarks:

Due to the different visual perception of individuals, there may be differences in the criteria for judging the clarity of the projection interface, press the [F^]/[Fv] key to make minor corrections to the projection clarity, so that the projected image reaches the optimal viewing effect you need.

Image size adjustment

Press [≡] key, select **Zoom**, Press [▲]/[▼] keys to adjust the image size.

Note: the image size can be adjusted in the range of 50%-100%.

Network connection

Wireless network connection

1. Press [≡] key, select **Network**, then press [OK] key to enter;
2. Set **Internet Connection** to **On**, and select **Interface > Wireless**, then press [↶] key to back to previous menu
3. Select **Wi-Fi** and enter correct passwords, then select **OK**. When **Connected** appears, the connection is successful.

Wired network connection

Insert the network cable into the LAN port of the product.

Important Statement on Network Services

All contents and services obtained from this projector belong to the third party and are protected by laws on copyright, patent right, trademark right and/or other intellectual property right. The said contents and services are only for your non-commercial purposes. It is not allowed to use any content or service without the authorization of the content owner or the service provider.

Our company will undertake no liability for any direct, indirect and accidental losses or damages caused by your or a third party's access to any content or service or any information or any third party software through this set under any circumstances.

Third party service may be changed, deleted or stopped without prior notice. Our company neither implies nor guarantees the continuous availability of some service or content within any period of time.

Our company is not held responsible for services related to the said service and content. Besides, we will not bear any liability for client service. Please directly contact relevant content and service providers if you have any problem and service request concerning relevant service or content.

Specification

Projection Technology	LCD
Backlight Type	LED
Resolution	1920 × 1080
Brightness (ANSI)	600 lm (Typ)
Contrast Ratio (FOFO)	1500:1 (Typ)
Throw Ratio	1.25:1 (@80")
Aspect Ratio	4:3 / 16:9
Projection Size	50" - 120"
Optimal Projection Size	80" - 120"
Audio Power	2 × 5 W
Power Supply	100-240V~ 50/60Hz
Power Consumption	160 W
Standby Power	≤0.5 W
Internal Cache Capacity(RAM)	1 GB DDR3
Internal Storage Capacity(ROM)	8 GB
Auto Focus	Support
Keystone Correction	Support
Wireless Screen Projection	Support
Noise	≤ 32 dB@1m
Environmental Requirements	Working temperature: 0°C ~ +40°C Working humidity: 0% ~ 85% non-condensing Storage temperature: -20°C ~ +65°C Storage humidity: 0% ~ 85% non condensing Working altitude: ≤ 5000 m
Overall Dimensions	266.6 × 224.6 × 193mm
Package Dimensions	312 × 265 × 410mm

Product Warranty Card

Customer Name	
Tel	
Address	
Model	
Device Number	
Purchase Date	

Warranty Rules

- 1.We provide you with a one-year free warranty from the date of purchase or as agreed in the contract.
- 2.The following cases are not covered by the warranty:
 - Failure or damages caused by artificial or natural disasters.
 - Failure caused by not following the operation method and precautions written in the User Guide.
 - Failure caused by user disassembly.
- 3.The liability scope of the warranty card is limited to the maintenance of the product, without covering any other liability.
- 4.If you are not sure about the repair and warranty of the machine after the warranty period, please visit the website EN.KTCDPLAY.COM for the warranty policy.



Notice: Please fill out the card and return it to us, when you apply for a warranty.

Troubleshooting

The product cannot be switched on normally.

Check whether the power cable is inserted into outlet and powered on.

The projected image is not clear enough.

- Adjust the focal length between the product and the projection screen.
- Check if the lens of the product needs to be cleaned.
- Condensation may occur on the lens when the product is moved from a cooler temperature environment to a warmer temperature environment. If this happens, turn on the product only after the condensation disappears.

The projected image is reversed left/right/up/down.

Check the projection mode settings.

The projected image is not bright enough.

- Check whether the brightness of the product is adjusted appropriately.
- Check whether the selected image mode of the product is appropriate.

Remote control can not work properly.

- Check remote control batteries.
- Check that the remote control is paired successfully with the product.
- Make sure there are no obstacles between the product and remote control.
- Make sure that the distance between the product and the remote control does not exceed 8m.

The projected image is tilted.

Adjust through the keystone correction function.

The projected image is too large/small.

Zoom in/out the image with the image size adjustment function.

The network is not available.

Check whether the product is connected to a wireless/wired network.



The terms HDMI, HDMI High-Definition Multimedia Interface, HDMI Trade dress and the HDMI Logos are trademarks or registered trademarks of HDMI Licensing Administrator, Inc.