

Product Introduction

It is a kind of high-performance intelligent multiple frequency scanning display, which adopts active matrix thin film transistor LED-backlit LCD. The display is controlled through the microcomputer MCU digital technology. It is compact and lightweight, which is suitable for narrow working spaces.

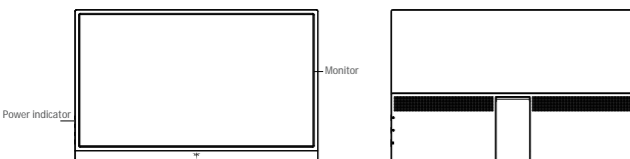
Before installation, please check whether the following accessories are complete in the packing box:

- Monitor×1
- Protective case×1
- Mini HDMI cable×1
- Type-C cable×1
- User manual (includes warranty card and certificate of conformity)

If any of above accessories are missing, please contact with product distributor immediately.

Notice: Specific accessories in order to prevail in kind. Please keep packing materials for future movement.
Bestimmte Zubehörtteile sind optionale Extras; maßgeblich sind die tatsächlich gelieferten Artikel.

Keys And Interfaces



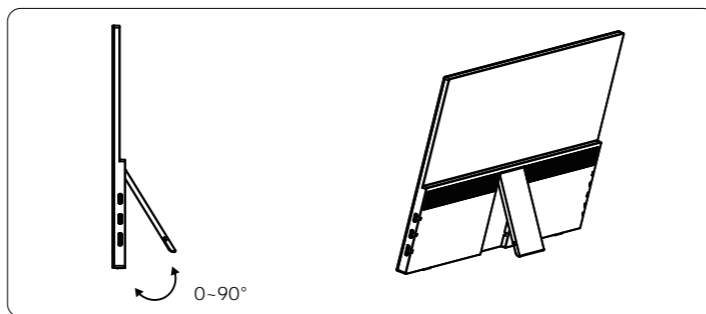
	Default Hotkeys	Button functions in menu mode
	Open OSD menu	Enter submenu / Confirm
	Brightness	Move up
	Volume	Move down
	Short press: switch input source / Long press: power off / When the monitor is off, short press to power it on	Exit menu

Power Indicator

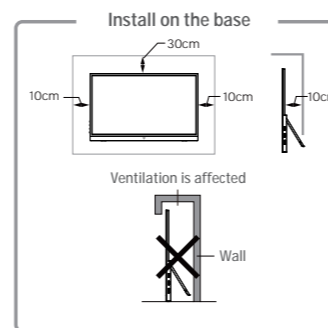
When a signal is present, the indicator stays solid green; in standby mode, it stays solid white.

*Button functions may vary by model.

Base And Wall Mount



Mounting Location



Ventilation

- Please leave the space around the display with the size at least shown in the figure.
- Do not cover the ventilation holes or insert anything into the shell.
- Unless there are proper ventilation conditions and adequate ventilation space around the display, do not place the display within a limited space, such as a book cabinet or a built-in closet.

Installation Guide

- The display should be installed near an AC power socket that can be easily pluggable.
- It is recommended to use suitable base for safety purpose.
- To prevent injury, the display should be placed on a smooth horizontal plane.
- Do not place the display where it may be suffered from mechanical vibration.
- Do not place the display where insects may enter.
- Do not place the display directly facing an air conditioner, or the internal panel may condense, leading to faults.
- Do not place the display where there is a strong electromagnetic field, or it will be interfered and damaged by the electromagnetic waves.

Safety Protection

When the PC video signal exceeds the frequency range of the display, the display will disable the line and field synchronizing signals to protect the display. Under this circumstance, you must set the output frequency of the PC to an acceptable range for the display to work properly.

Power Management System

Mode	Power Consumption
Normal Operation	12W
Standby	≤0.5W

Remark: All technical specifications in the User Guide and on the external packing are allowed to change without prior notice. If there is a subtle difference between the User Guide and the actual operation, the latter shall prevail.

Product Technical Specifications

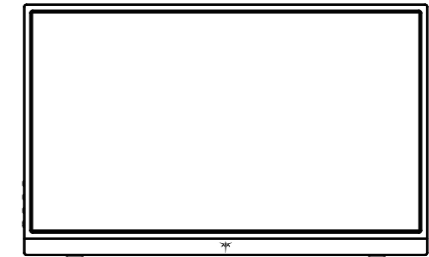
Panel Dimension	15.6"	Working Environment Requirements Operating temperature and humidity Storage temperature and humidity	0°C ~ 40°C 30% ~ 90% (Non-condensing) -20°C ~ 55°C 20% ~ 93% (Non-condensing)
Default Refresh Rate and Resolution	1920×1080@60Hz		
Power Input	DC 12V / 1A	Mini HDMI	×1 Mini HDMI (1920×1080@60Hz)
Contrast	1000:1	Type-C	×2 Type-C (1920×1080@60Hz)
Visible Area	344.16(H)×193.59(V)mm		

Simple Problems Disposal

Symptoms	Disposal Methods
1.Blank screen /Power indicator does not work	Check whether the power supply is in good contact with the display and the power socket; and check whether the display is turned off.
2.Dark screen	Enter the "Display" menu to regulate the contrast and the brightness of the display.
3.Display overheating	Leave at least 10cm of ventilated space around the display. Do not place articles on the display.
4.Dark/light spots when powered on	It is normal. Because of the temperature difference in the environment, the backlit tube emits uneven light at the initial stage after the display turns on. However, the backlit tube will emit normal light after 20 minutes, and the dark/light spots will be eliminated at that time.
5.Image distortion, flashing, shaking	Check your computer configuration, choose the correct resolution, and reset your refresh rate.
6.Noisy signal when powered off	During the power-off of the display, there may be some noisy signals on the screen caused by the normal discharge.

Portable Monitor User Manual

KTC H15F8/H15F9



Important Safety Precautions

1. Please read all the instructions carefully before using the product.
2. When cleaning the display, please unplug the power cord. Please wipe the display with a soft wet cloth instead of liquid or spray cleaner. Please use LCD screen cleaner in case of a stubborn stain.
3. Do not use accessories that are not recommended by the manufacturer, or there may be dangerous.
4. When unplugging the power cord of the display or the power adapter, please hold the power plug with your hand rather than directly pull the power cord to unplug it.
5. Do not place the display near water, such as bathtub, washbasin, kitchen sink, or washing machine. Do not place the display on the wet ground, or near the swimming pool. Do not use fingers or hard objects to press the surface of the LCD screen.
6. The grooves and holes on the shell or at the back and bottom of the display are designed for the ventilation and heat dissipation of the components to ensure reliable operation. So, do not put the display on the bed, sofa, carpet, or similar surfaces of other objects to prevent the heat dissipation holes from blocking and do not place the display near or above the radiator or heater. In addition, do not place the display in an embedded device unless adequate ventilation is provided.
7. Only the power supply type shown on the nameplate can be used for the display. Please feel free to consult the display dealer or the local power supply administration, if you have any doubts about your power supply type.
8. If the power cord or adapter included as an accessory with the monitor is a three-prong plug, the grounding pin can only be properly grounded when used with a socket that has a grounding function. If your socket does not match the plug, please contact an electrician to replace the socket to ensure safety.
9. As you may face high voltage or other dangers after removing the shell, do not repair the display by yourself. You can have it repaired by qualified maintenance personnel.
10. Please unplug the power cord of the display or the power adapter from the socket, and contact qualified maintenance personnel for repairing the display, when following cases occur:
 - a. The power cord or the plug is damaged or worn out.
 - b. The display has been dropped from high or the shell is damaged.
 - c. Any obvious abnormality.
11. Please place the display in a well-ventilated environment, which is away from strong light, high temperature, or humidity.
12. The temperature for the display storage is $-20^{\circ}\text{C} \sim 55^{\circ}\text{C}$, or it may be permanently damaged.
13. The monitor screen is fragile, so please be careful when moving or handling it!

Product Warranty Card

Customer Name	
Tel	
Address	
Model	
Device Number	
Purchase Date	

Warranty Rules

1. We provide you with a one-year free warranty from the date of purchase, or as specified in the contract.
2. The following cases are not covered by the warranty:
 - Failure or damages caused by artificial or natural disasters.
 - Failure caused by not following the operation method and precautions written in the User Guide.
 - Failure caused by user disassembly.
3. The liability scope of the warranty card is limited to the maintenance of the product, without covering any other liability.
4. If you are not sure about the repair and warranty of the machine after the warranty period, please visit the website US.KTCPLAY.COM for the warranty policy.



Notice: Please fill out the card and return it to us, when you apply for a warranty.



More Information

Please scan QR code or visit US.KTCPLAY.COM

Any question or comments. Please contact:

support@ktcplay.com

support.eu@ktcplay.com [Europe]

To care for and protect the earth better, please send it to a local manufacturer with nationally recognized qualification for recycling according to the national applicable laws and regulations on recycling of waste electrical and electronic products when you no longer need this product or at the end of its service life.

HDMI™

The terms HDMI and HDMI High-Definition Multimedia Interface, and the HDMI Logo are trademarks or registered trademarks of HDMI Licensing Administrator, Inc. in the United States and other countries.