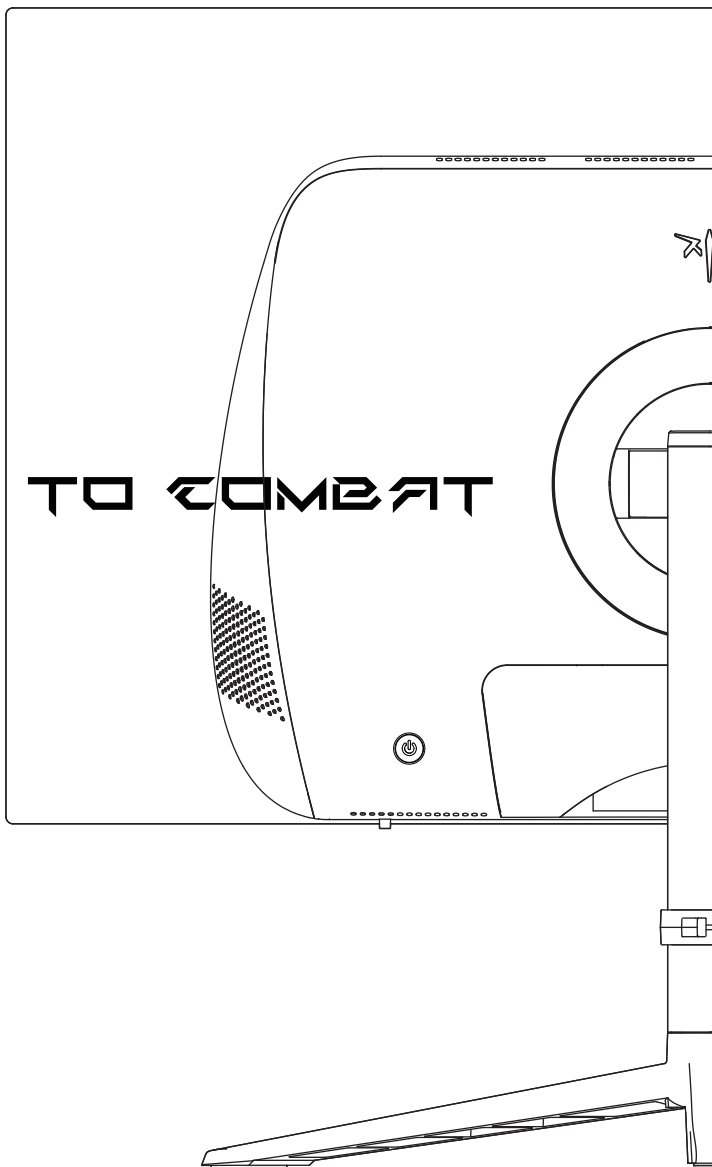




**KEY TO COMBAT**



## G27P6 Display User Guide

The content of the instruction manual is for reference only,  
everything is subject to the real thing.  
The final interpretation right belongs to Shenzhen KTC Technology Co., Ltd.

## Important Safety Precautions

1. Please read all the instructions carefully before using the product.
2. When cleaning the display, please unplug the power cord. Please wipe the display with a soft wet cloth instead of liquid or spray cleaner. Please use LCD screen cleaner in case of a stubborn stain.
3. Do not use accessories that are not recommended by the manufacturer, or there may be dangerous.
4. When unplugging the power cord of the display or the power adapter, please hold the power plug with your hand rather than directly pull the power cord to unplug it.
5. Do not place the display near water, such as bathtub, washbasin, kitchen sink, or washing machine. Do not place the display on the wet ground, or near the swimming pool. Do not use fingers or hard objects to press the surface of the LCD screen.
6. The grooves and holes on the shell or at the back and bottom of the display are designed for the ventilation and heat dissipation of the components to ensure reliable operation. So, do not put the display on the bed, sofa, carpet, or other similar surfaces to prevent the heat dissipation holes from blocking and do not place the display near or above the radiator or heater. In addition, do not place the display in an embedded device unless adequate ventilation is provided.
7. Only the power supply type shown on the nameplate can be used for the display. Please feel free to consult the display dealer or the local power supply administration, if you have any doubts about your power supply type.
8. For safety, the display or the power adapter uses a power cord with a three-prong plug, whose third prong can only be properly grounded when used with a properly grounded socket. If your socket cannot match with the plug, please contact an electrician to replace your original socket so that the plug can give full play to ensuring safety.
9. As you may face high voltage or other dangers after removing the shell, do not repair the display by yourself. You can have it repaired by qualified maintenance personnel.
10. Please unplug the power cord of the display or the power adapter from the socket, and contact qualified maintenance personnel for repairing the display, when following cases occur:
  - a. The power cord or the plug is damaged or worn out.
  - b. The display has been dropped from high or the shell is damaged.
  - c. Any obvious abnormality indicates a necessary repair.
11. Please place the display in a well-ventilated environment, which is away from strong light, high temperature, or humidity.
12. The room temperature for the display store is  $-10^{\circ}\text{C} \sim 60^{\circ}\text{C}$ , or it may be permanently damaged.

# 1.Product Introduction

## 1.1 Overview

Adopting LG Display 27" OLED, G27P6 achieved a perfect display effect of OLED 2K and 240Hz high refresh rate.

## 1.2 Packing List

Before installation, please check whether the following articles are complete in the packing box:

- Monitor×1
- Base×1
- Warranty card×1
- QSG×1
- User Guide×1
- DP Signal Cable×1
- Type-C Signal Cable×1
- HDMI Signal Cable×1
- Adaptor×1
- Power Cord×1

If any of above product is missing, please contact with product distributor immediately.

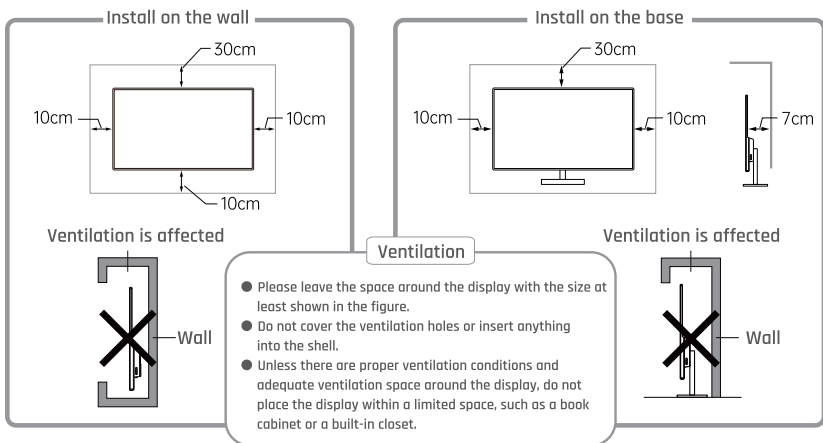
Notice: Specific accessories in order to prevail in kind. Please keep packing materials for future movement.

## 2.Installation and Connection

### 2.1 Display Installation

#### Installation Guide

- The display should be installed near an AC power socket that can be easily pluggable.
- It is recommended to use suitable wall mount brackets or a base for safety purpose.
- To prevent injury, the display should be placed on a smooth horizontal plane, or fixed on a firm wall.
- If you need to install it on a wall, it should be done by professional technicians. The improper display installation may cause instability.
- Do not place the display where it may be suffered from mechanical vibration.
- Do not place the display where insects may enter.
- Do not place the display directly facing an air conditioner, or the internal panel may condense, leading to faults.
- Do not place the display where there is a strong electromagnetic field, or it will be interfered with and damaged by the electromagnetic waves.



## 2.2 Signal Cable Connection

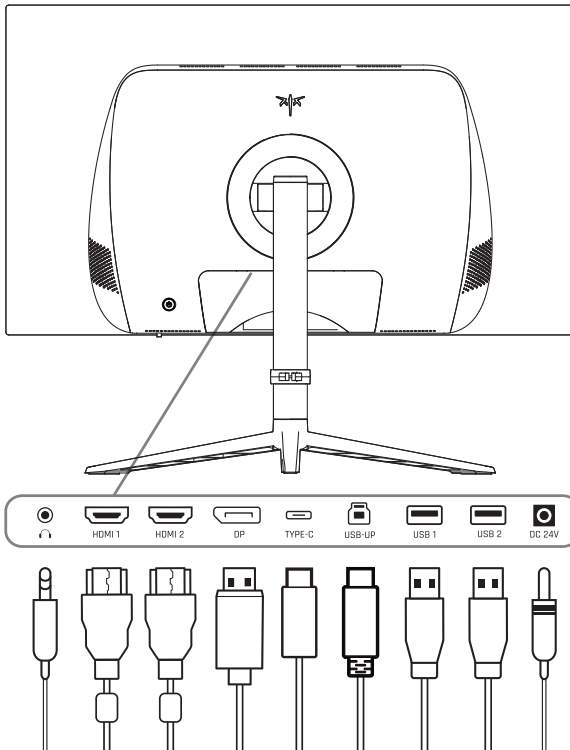
Connect the signal cable to the HDMI or DP signal output port on the PC, then connect the other end of the signal cable to the corresponding signal input port on the LCD.

## 2.3 Headset Connection

After connecting to the headset, there will be audio output, and it also supports external loudspeakers.

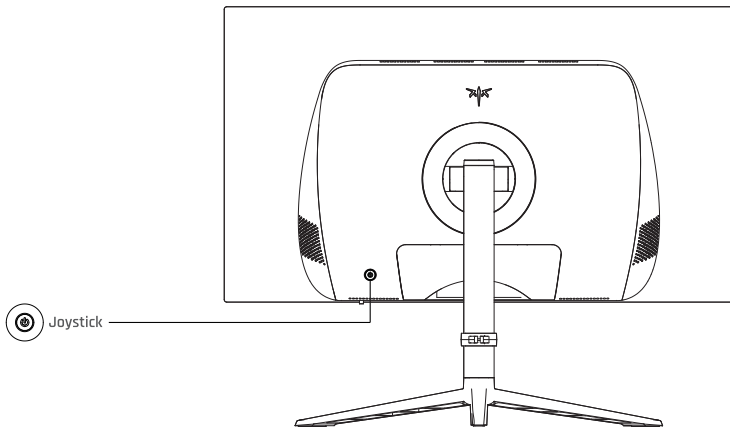
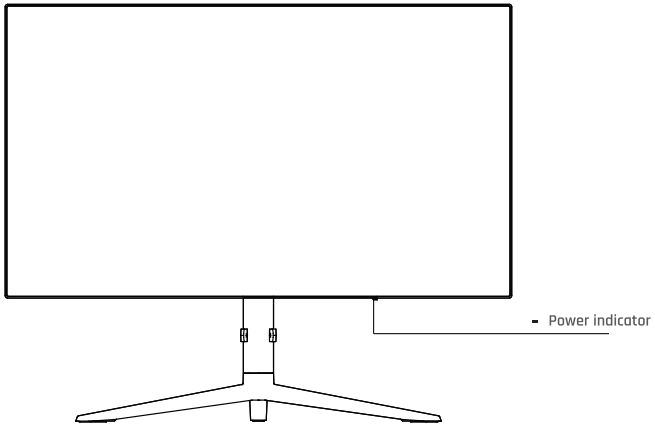
## 2.4 USB Connection

Use the USB 3.0 Type-B cable to connect the USB uplink port on display with the USB port on the case, or use the Type-C cable to connect the Type-C port on display with the USB port on the case. Switch a port corresponding to KVM through the joystick to enable the USB port on display to transmit data.



### 3.Display Operation

The joystick is shown as in the figure. For the models of the same series, only the key positions and the frame styles are different. Refer to the actual situation for details.



### 3.1 Power Indicator

The blue indicator represents the proper functioning of the display; the red flash indicator represents no signal state. Under the energy conservation state, the display will normally work if the signal is provided again. The display is still powered on in the standby state. Thus, unplug the power cord when you do not use the display for safety.

### 3.2 Key Function Introduction

Initial Status:

Joystick Upward	Shortcut Menu for Signal Source
Joystick Downward	Shortcut Menu for Brightness
Joystick Leftward	Shortcut Menu for Gaming Assistance
Joystick Rightward	KVM
Press Joystick	Turn on the display/Show the menu by short-pressing, turn off the display by pressing and holding for 3 seconds

Enter the Function Menu:

Joystick Upward	Move upward/Adjust the value of the selected item
Joystick Downward	Move downward/Adjust the value of the selected item
Joystick Leftward	Return the previous menu
Joystick Rightward	Open/OK
Press Joystick	Turn off the display by pressing and holding for 3 seconds

### 3.3 Safety Protection

When the PC video signal exceeds the frequency range of the display, the display will disable the line and field synchronizing signals to protect the display. Under this circumstance, you must set the output frequency of the PC to an acceptable range for the display to work properly.

## 4.Simple Problems Disposal

Symptoms	Disposal Methods
1.Blank screen /Power indicator does not work	Check whether the power supply is in good contact with the display and the power socket; and check whether the display is turned off.
2.Blurred , too large or too small images	Go to the "Image Settings" category menu and select "Image Auto Adjust" to make the monitor adjust automatically to correct. (Only available for monitors with VGA)
3.Dark screen	Enter the "Brightness & Contrast" menu to regulate the contrast and the brightness of the display.
4.Display overheating	Leave at least 5cm of ventilated space around the display. Do not place articles on the display.
5.Dark/light spots when powered on	It is normal. Because of the temperature difference in the environment, the backlit tube emits uneven light at the initial stage after the display turns on. However, the backlit tube will emit normal light after 20 minutes, and the dark/light spots will be eliminated at that time.
6.Image distortion, flashing, shaking	Check your computer configuration, choose the correct resolution, and reset your refresh rate.
7.Noisy signal when powered off	During the power-off of the display, there may be some noisy signals on the screen caused by the normal discharge.

## 5. Product Technical Specifications

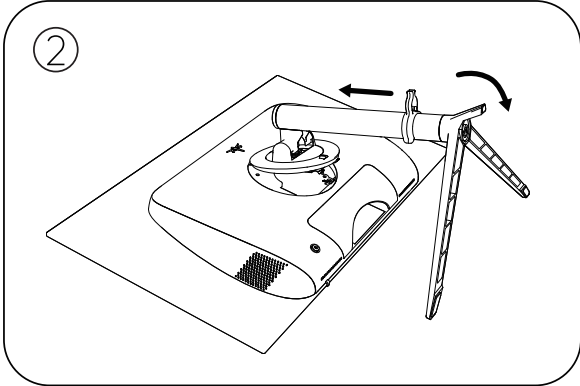
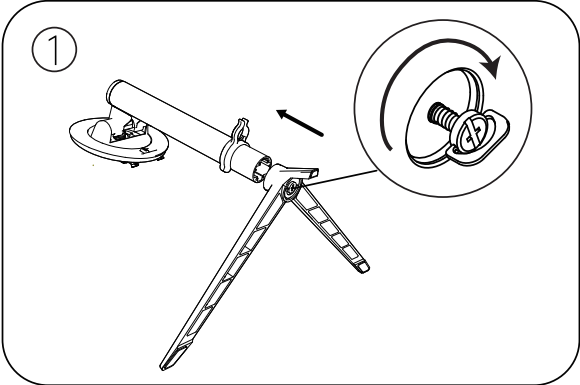
Panel Dimension	26.5"
Best Operating Resolution Ratio	2560×1440 @ 240Hz
Input Voltage	DC 24V / 7A
Contrast	1500000 : 1
Visible Area	586.75mm × 330.05mm
Pixel Pitch	0.2292mm × 0.2292mm
Pitch size for wall mount	75mm × 75mm
Maximum elevation	5000m
Working condition Atmosphere Temperature Humidity	86kPa ~ 106kPa 0 C ~ 40 C                      30% ~ 90% (Non-condensing) -20 C ~ 55 C                    20% ~ 93% (Non-condensing)
<b>Packing Dimension (W×H×D) and Weight</b> Display Dimension (W×H×D) (excluding base) Packing Dimension (W×H×D) Net Weight of Display (including base) Packing Weight	604.4×350.6×52.3mm 860×215×490mm 5.2Kg 10.2Kg

### Power Management System

Mode	Power Consumption
Normal Operation	$\leq 100\text{W}$ (without Type-C) $\leq 168\text{W}$ (with Type-C)
Standby	$\leq 0.5\text{W}$

Remark: All technical specifications in the User Guide and on the external packing are allowed to change without prior notice. If there is a subtle difference between the User Guide and the actual operation, the latter shall prevail.

### 6.Instruction for base installation





More Information

Please scan QR code or visit [www.ktcplay.com](http://www.ktcplay.com)

**Any question or comments. Please contact:**

**[support@ktcplay.com](mailto:support@ktcplay.com) [North America]**

**[support.eu@ktcplay.com](mailto:support.eu@ktcplay.com) [Europe]**

**HDMI™**

The terms HDMI and HDMI High-Definition Multimedia Interface, and the HDMI Logo are trademarks or registered trademarks of HDMI Licensing Administrator, Inc. in the United States and other countries.